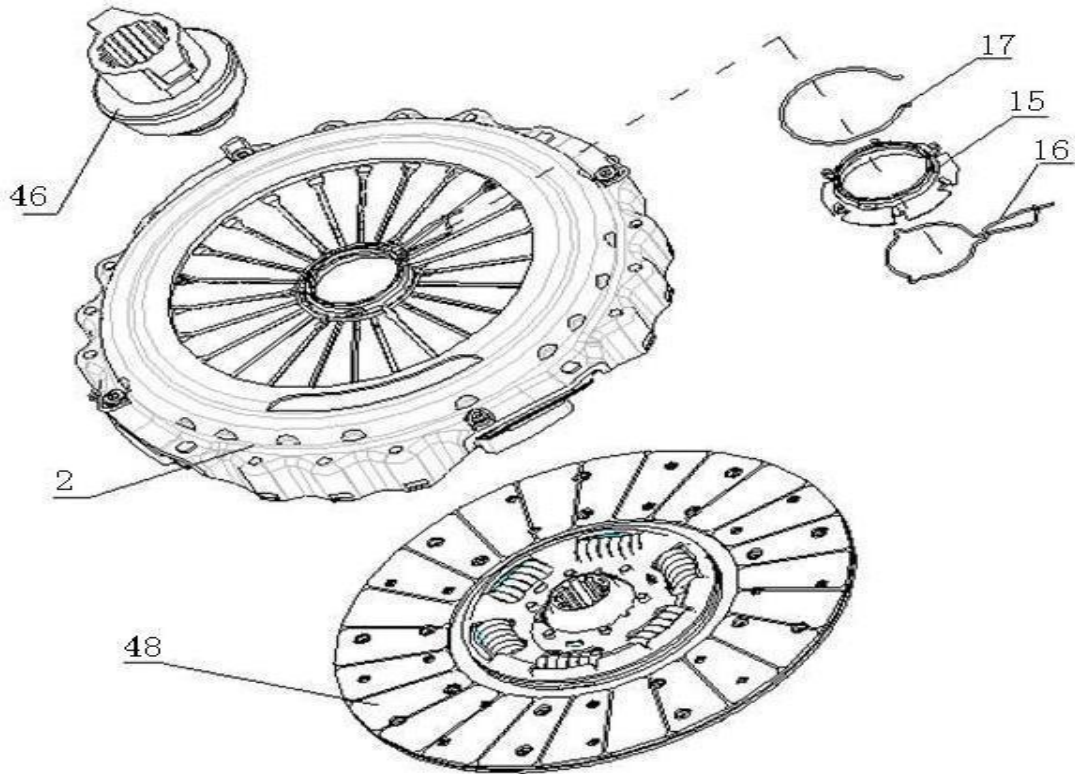


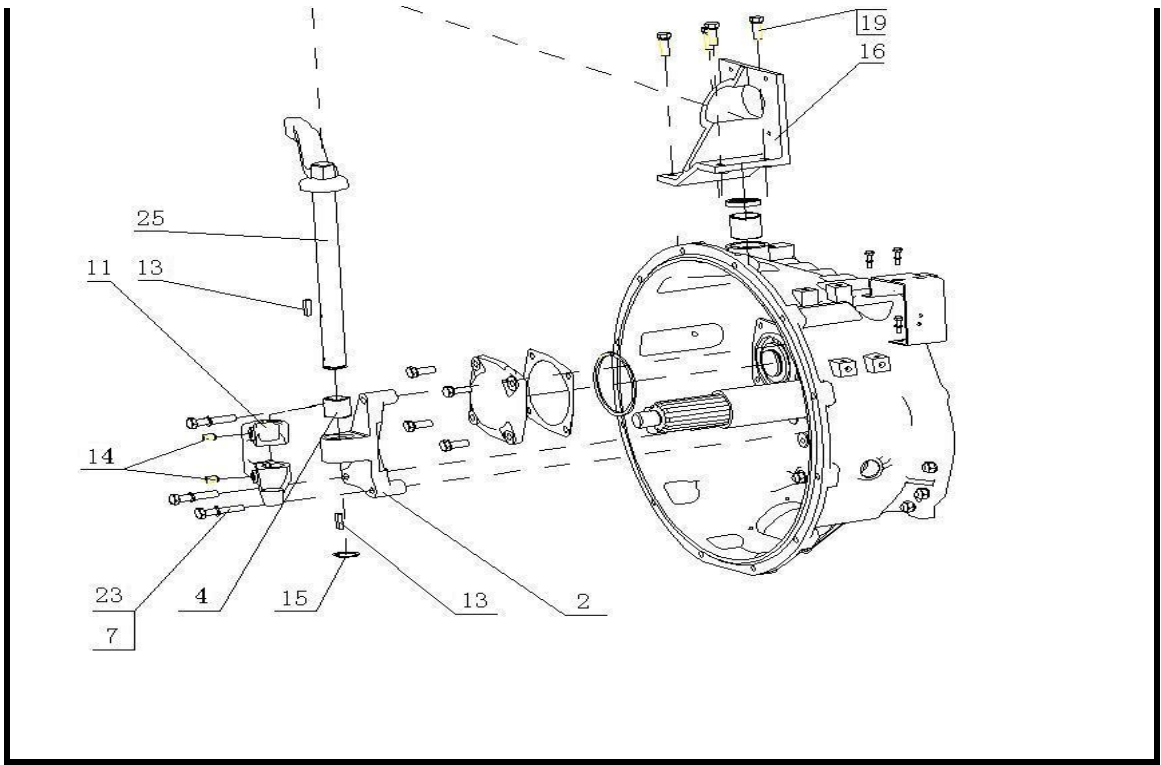
### 3. 2. 01 430C型拉式膜片弹簧离合器总成/Clutch ass.



### 3. 2. 01 430C型拉式膜片弹簧离合器总成/Clutch ass.

序号 No.	零部件图号 Part No.	名称	Part Name	数量 Qty	备注 Remark
1	AZ9725163000	430C型拉式膜片弹簧离合	Clutch ass.	1	Incl.(2-48)
2	AZ9725160110	离合器压盘总成	Clutch platen	1	Incl.(4-18)
4	AZ9725160010	离合器盖	Clutch Cover	1	
5	AZ9725160021	压盘	Pressure plate	1	
6	WG9725160031	膜片弹簧	Diaphragm Spring	1	
8	AZ9725160040	支承环	Supporting ring	1	
9	AZ9725160050	传动片	Drive Chip	16	
10	AZ9725160080	限位螺栓	Screw	4	
11	AZ9725160090	铆钉	Rivet	4	
12	AZ9725160045	垫圈	Washer	4	
13	Q5281226	弹性圆柱销	Cylinder pin	3	
14	AZ9725160070	分离拉环总成	Releasing ring ass	1	Incl.(15-17)
15	AZ9725160075	分离拉环	Releasing ring	1	
16	AZ9725160076	弹性锁环	Spring ring	1	
17	AZ9725160077	固定环	Ring	1	
18	AZ9725160085	卡簧	Snap spring	4	
46	WG9725160520	离合器分离轴承总成	Releasing bearing	1	
48	WG9914161100	CH430-15从动盘总成	Driven plate	1	

### 3. 2. 02 离合器操纵组件(小拉式)/Clutch Operating Components



**3. 2. 02 离合器操纵组件(小拉式)/Clutch Operating Components**

序号 No.	零部件图号 Part No.	名称	Part Name	数量 Qty	备注 Remark
1	AZ2203260001	拨叉轴支架总成	Bracket ass. of fork shaft	1	
2	WG2229260001	拨叉轴支架	Bracket of fork shaft	1	
4	WG2229003030	复合衬套	Bush	1	
7	Q40310	弹簧垫圈	Washer	3	
8	AZ9007970242	螺纹紧固胶	Threaded fastening glue	1	
11	WG2214260004	离合器分离拨叉	Releasing fork	1	
13	Q5510825	普通平键	Key	2	
14	Q2881016F9	内六角锥端紧定螺钉	Screw	2	
15	Q43130	轴用弹性挡圈	Snap ring	1	
16	WG2229260015	助力缸支架	Bracket of booster	1	
18	Q150B1030	六角头螺栓	Screw	4	
19	Q40310	弹簧垫圈	Washer	4	
20	AZ2229260014	盖板	Plate	1	
21	Q150B0615	六角头螺栓	Screw	4	
22	Q40306	弹簧垫圈	Washer	4	
23	WG9003801062	六角头螺栓	Screw	3	
25	WG2203260007	拨叉轴总成	Fork Shaft ass	1	